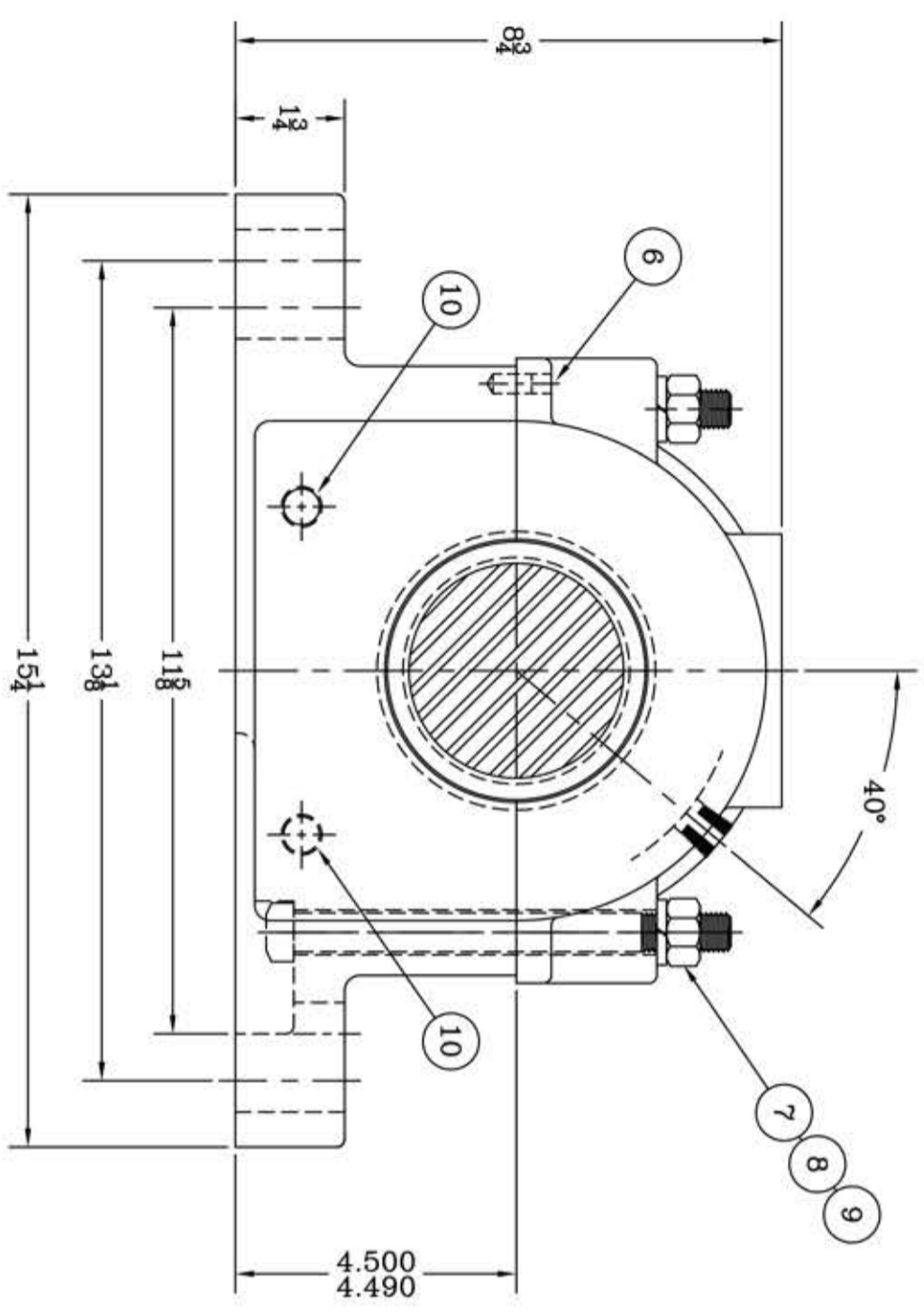
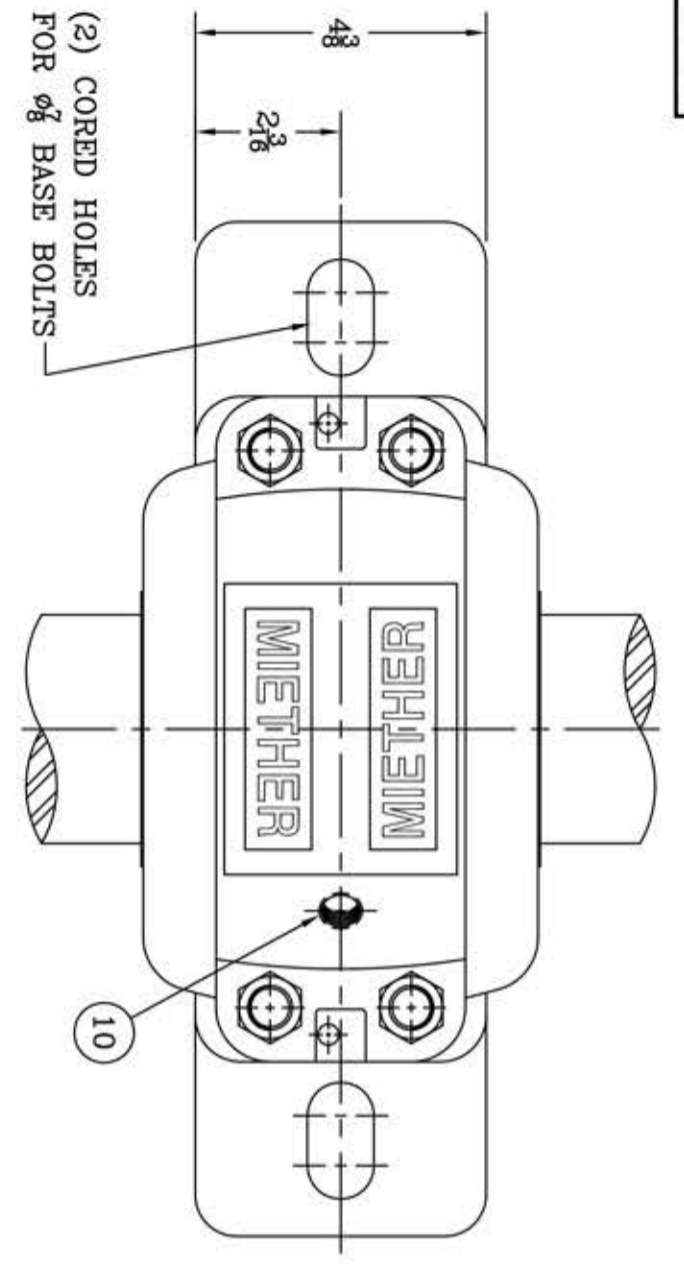
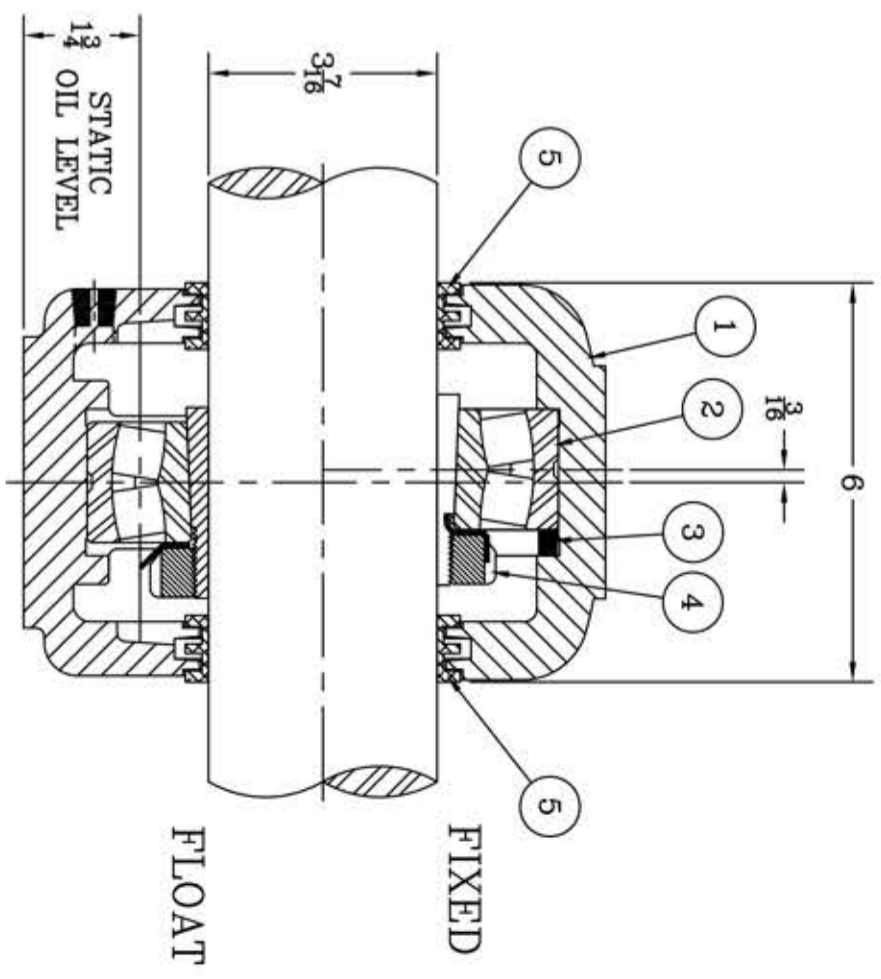


This drawing is the sole property of Miether Bearing Products and contains confidential and proprietary information. It is being provided to you for your use and may not be disclosed to any third party or used for any other purpose without Miether's prior written consent. The [materials] must be returned to the Company upon its demand. Your acceptance of these materials constitutes your acceptance of the foregoing terms.

C-35142



ITEM	DESCRIPTION	DETAIL	REQUIRED
1	HOUSING SAFD 520	C-	1 1
2	SPHERICAL ROLLER BEARING 22220K/W-33		1 1
3	STABILIZING RING SR-20-17	A-10602	1 0
4	ADAPTER SNW-20 03-07	B-24416	1 1
5	TRIPLE SEAL RING LER-102	A-10576	2 2
6	DOWEL	Ø 5/8 x 8 LONG	2 2
7	CAP BOLT SQUARE HEAD Gr.5	5/8-11 NC x 7" LONG	4 4
8	CAP BOLT HEX. NUT	5/8-11 NC	4 4
9	LOCKWASHER	5/8 SPLIT MED.	4 4
10	PIPE PLUG	3/8-18 NPT	3 3



REVISIONS

SYMBOL	DESCRIPTION
✓	
∇	
∇	
∇	
∇	
∇	
∇	
∇	
∇	
∇	

TOLERANCE: UNLESS OTHERWISE SPECIFIED
 FRACTIONS ± 1/32" ANGLES ± 0° 30'
 DECIMALS ± .005 WELD ± 1/16"
 CASTING ± 1/16"

A.I.S.I. STANDARD FINISHES
 MICRO-INCH VALUE: 16 32 63 125 250 500 1000

AN ALCO INDUSTRIES COMPANY
 BEARING PRODUCTS
 ODESSA, TX. USA

SAFD 22520 03-07
 ASSEMBLY DRAWING
 SCALE 1 = 2
 DRAWN PCF
 DATE 11/9/12
 CHK:

ASSEMBLY NO.
 DRAWING NO. C-35142